



RP-IMC801FP

10/100/1000M TX to 100/1000M SFP Industrial Media Converter

RP-IMC801FP is an Industrial Converter providing superior performance in stability, environmental adaptability. It equips with one 10/100/1000BASE-T RJ45 copper and one slot for 100/1000BASE-X SFP.

The RP-IMC801FP is designed for Security, Transportation and Telco applications to extend your network distances. It can be powered by wide range of VDC 12V-56VDC. It is an ideal unit for IP surveillance, traffic monitoring and Security applications in critical environment. The operating temperature range is from -40 to 75 Degree C in harsh environment to perform a reliable network.

With IP30 industrial case protection, the RP-IMC801FP provides a high level of immunity against corrosion and electromagnetic interference. RP-IMC801FP also allows either DIN rail or wall mounting for efficient use of cabinet space.

Features

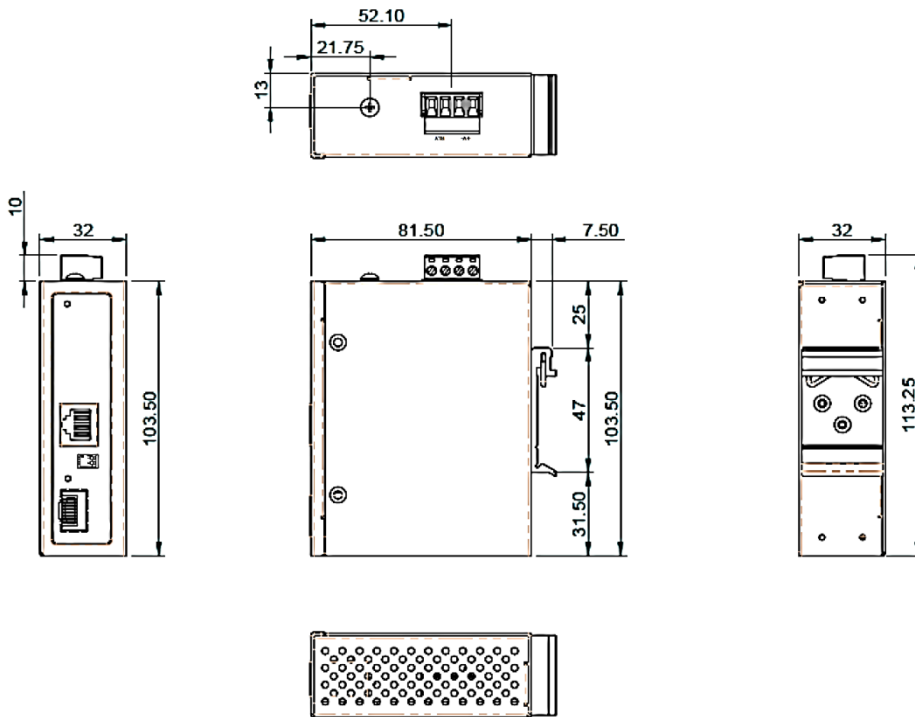
- Rugged design enclosure.
- Supports 12V-56VDC, Redundant power input
- Supports Link Fault Pass through (LFP) function
- Supports automatically switch mode and converter mode
- Adjustable SFP speed 100M or 1000M
- Surge protection on power input
- ESD protection on RJ-45 port
- Provides Far End Fault function on FX port
- Provides increased Noise Immunity
- Extended environmental specification -40°C to 75°C

Specifications

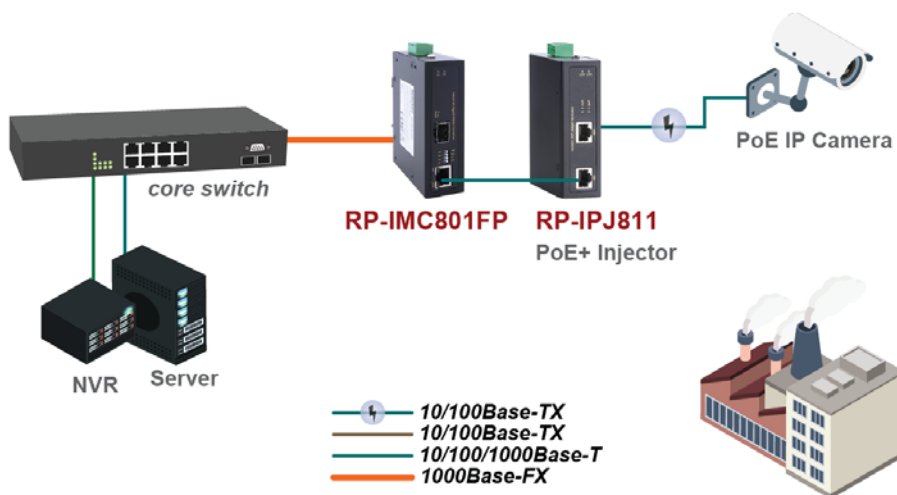
Standards	<ul style="list-style-type: none"> ● IEEE 802.3 10Base-T Ethernet ● IEEE 802.3u 100Base-TX Fast Ethernet ● IEEE 802.3ab 1000Base-T Gigabit Ethernet ● IEEE 802.3z 1000Base-X Gigabit Ethernet
Switch Architecture	<ul style="list-style-type: none"> ● Back-plane (Switching Fabric): 4Gbps
Data Processing	<ul style="list-style-type: none"> ● Store and Forward
Flow Control	<ul style="list-style-type: none"> ● IEEE 802.3x Flow Control and Back Pressure
Jumbo Frame	<ul style="list-style-type: none"> ● 16KB
Interface	<ul style="list-style-type: none"> ● 1 x RJ-45 10/100/1000 Base-T(X) Auto MDI/MDI-X function, Full/Half duplex ● 1 x 100/1000 BaseF(X) SFP
Network Cable	<ul style="list-style-type: none"> ● UTP/STP above Cat.5e Cable ● EIA/TIA-568 10-ohm (100m)
Protocol	<ul style="list-style-type: none"> ● CSMA/CD
LED indicators	<ul style="list-style-type: none"> ● PWR (Green) ● TX LNK/ACT (Green) ● SFP LNK/ACT (Green)
DIP Switch	<ul style="list-style-type: none"> ● DIP1: LFP disabled / enabled ● DIP 2: SFP speed 1000M / 100M ● Link Fault Pass Through (LFP) is when copper side signal lost or disconnect, fiber side link signal will actively off, when fiber side signal lost or disconnect, copper side link signal will also actively off.
Reverse polarity protection	<ul style="list-style-type: none"> ● Present
Overload current protection	<ul style="list-style-type: none"> ● Present
Power Supply	<ul style="list-style-type: none"> ● 4 pin terminal block with 12V-56V VDC Power Input ● Relay: Relay switch for alarm
Alarm Relay Contact	<ul style="list-style-type: none"> ● Relay outputs with current carrying capacity of 1 A @24VDC, ● Relay in short circuit mode when power fails. in open circuit mode when power supply is connected
Power Consumption	<ul style="list-style-type: none"> ● 3Watts @48VDC full load
Removable Terminal Block	<ul style="list-style-type: none"> ● Provide 4 pin terminal block ● Wire range: 0.34mm² to 2.5mm² ● Solid wire (AWG):12-24/14-22 ● Stranded wire (AWG): 12-24/14-22 ● Torque:5lb-In/0.5Nm/0.56Nm ● Wire Strip length: 7-8mm
Operating Temperature	<ul style="list-style-type: none"> ● -40°C ~75°C
Operating Humidity	<ul style="list-style-type: none"> ● 5% to 95% (Non-condensing)
Storage Temperature	<ul style="list-style-type: none"> ● -40°C ~85°C
Housing	<ul style="list-style-type: none"> ● Rugged Metal, IP30 Protection
Dimension	<ul style="list-style-type: none"> ● 103.5mmx32mmx81.5mm (LxWxD)
Installation mounting	<ul style="list-style-type: none"> ● DIN Rail and Wall Mount
Safety	<ul style="list-style-type: none"> ● IEC EN60950-1

EMC	<ul style="list-style-type: none"> ● CE, FCC, EN 55032/24
EMI	<ul style="list-style-type: none"> ● CISPR 32, FCC Part 15B Class A
EMS	<ul style="list-style-type: none"> ● IEC 61000-4-2 ESD: Contact: 6KV; Air: 8KV ● IEC 61000-4-4 EFT: Power: 2KV; Signal: 2KV ● IEC 61000-4-5 Surge: Power: 2KV; Signal: 2KV
Stability Testing	<ul style="list-style-type: none"> ● EN 60068-2-6 (Vibration), EN 60068-2-27(Shock), EN 60068-2-32(Free Fall)

Dimension



Application



Ordering information

RP-IMC801FP 10/100/1000M TX to 100/1000M SFP Industrial Media Converter

REPOTEC CO., LTD.

3F., No.258, Liancheng Rd., Zhonghe District., New Taipei City 235, Taiwan

TEL: 886-2-8227-1888 FAX: 886-2-8227-1818