

RP-IMC811FP

10/100/1000Base-TX to 100/1000Base-X SFP Industrial PoE+ Media Converter

RP-IMC811FP is an Industrial PoE Converter providing superior performance in stability, environmental adaptability. It equips with one 10/100/1000BASE-T RJ45 copper and one slot for 100/1000BASE-X SFP.

The RP-IMC811FP complies with IEEE 802.3af/at standards for supplying PoE power budget up to 30W and with its Cold-Design will not only power up your PD device, also reduce the excessive heat problem to a minimum. The operating temperature range from -40 to 75 Degree C allows RP-IMC811FP to be placed in almost any difficult environment.

With IP30 industrial case protection, the RP-IMC811FP provides a high level of immunity against corrosion and electromagnetic interference. RP-IMC811FP also allows either DIN rail or wall mounting for efficient use of cabinet space.



Features

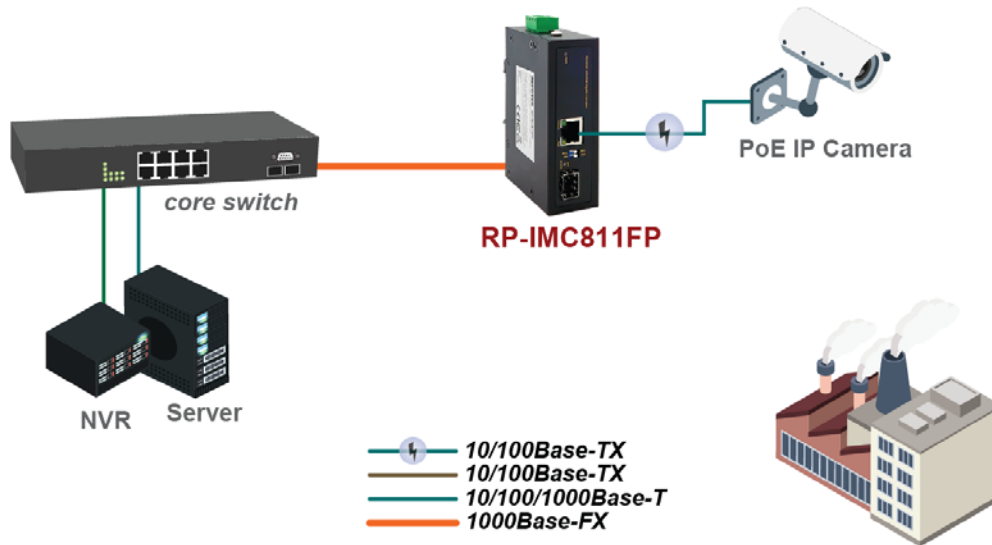
- Supports 48V-56VDC, Redundant power input
- Adjustable SFP speed 100M or 1000M
- PoE Output power up to 30Watts
- Reverse polarity protection
- Overload current protection
- ESD protection diodes on RJ-45 port
- 2K MAC Table
- 9KB Jumbo Frame
- Rugged Aluminum IP30 Protection enclosure
- Operating Temperature: -40°C to +75°C

Specifications

Standards	<ul style="list-style-type: none"> • IEEE 802.3 10Base-T Ethernet, • IEEE 802.3u 100Base-TX Fast Ethernet • IEEE 802.3ab 1000Base-T Gigabit Ethernet • IEEE 802.3z 1000Base-X Gigabit Ethernet • IEEE802.3x Flow Control and Back Pressure • IEEE802.3af/at PoE
Data Processing	<ul style="list-style-type: none"> • Store and Forward
Flow Control	<ul style="list-style-type: none"> • IEEE 802.3x Flow Control and Back Pressure
Switch Architecture	<ul style="list-style-type: none"> • Back-plane (Switching Fabric): 4Gbps
MAC Table Size	<ul style="list-style-type: none"> • 2K
Jumbo Frame	<ul style="list-style-type: none"> • 9KB
Packet Buffer Size	<ul style="list-style-type: none"> • 1M
Interface	<ul style="list-style-type: none"> • 1x RJ-45 10/100/1000BaseT(X) PSE with PoE Output power up to 30Watts • 1x 100/1000M SFP slot
Network Cable	<ul style="list-style-type: none"> • UTP/STP above Cat.5e Cable • EIA/TIA-568 10-ohm (100m)
Protocol	<ul style="list-style-type: none"> • CSMA/CD
POE Pin Assignment	<ul style="list-style-type: none"> • 30 watts 2 pairs Mode A End Span V+, V+, V-, V- for pin 1, 2, 3, 6
LED indicators	<ul style="list-style-type: none"> • PWR (Green) • SFP Lnk/Act (Green) • RJ-45: Lnk/Act (Green), PoE (Amber)
DIP Switch	<ul style="list-style-type: none"> • Set SFP speed 100M or 1000M
Reverse polarity protection	<ul style="list-style-type: none"> • Present
Overload current protection	<ul style="list-style-type: none"> • Present
Power Supply	<ul style="list-style-type: none"> • 4 pin terminal block with 48V-56V VDC Power Input • SW (Relay): Relay switch for alarm
Alarm Relay Contact	<ul style="list-style-type: none"> • Relay outputs with current carrying capacity of 1 A @24VDC, • Relay in short circuit mode when power fails. • Relay in open circuit mode when power supply is connected
Power Consumption	<ul style="list-style-type: none"> • 2W @48 VDC full load, Without PoE
PoE power budget	<ul style="list-style-type: none"> • Max. PoE power 36watts at 56VDC input
Removable Terminal Block	<ul style="list-style-type: none"> • Provide 4 pin terminal block • Wire range: 0.34mm² to 2.5mm² • Solid wire (AWG):12-24/14-22 • Stranded wire(AWG): 12-24/14-22 • Torque:5lb-In/0.5Nm/0.56Nm • Wire Strip length: 7-8mm
Operating Temperature	<ul style="list-style-type: none"> • -40°C ~75°C
Operating Humidity	<ul style="list-style-type: none"> • 5% to 95% (Non-condensing)
Storage Temperature	<ul style="list-style-type: none"> • -40°C ~85°C
Housing	<ul style="list-style-type: none"> • Rugged Aluminum ,IP30 Protection
Dimension	<ul style="list-style-type: none"> • 103.5 x 32 x 81.5mm (LxWxD)

Installation mounting	<ul style="list-style-type: none"> • DIN Rail mounting and Wall Mounting
Safety	<ul style="list-style-type: none"> • IEC EN60950-1
EMC/EMS	<ul style="list-style-type: none"> • CE, FCC
EMI	<ul style="list-style-type: none"> • FCC Part 15 Subpart B Class A, CE EN 55022 Class A
Vibration	<ul style="list-style-type: none"> • EN 50155 / EN 60068-2-6
Shock	<ul style="list-style-type: none"> • EN 50155 / EN 60068-2-27
Free Fall	<ul style="list-style-type: none"> • EN 50155 / EN 60068-2-32

Application



Ordering information

RP-IMC811FP 10/100/1000Base-TX to 100/1000Base-X SFP Industrial PoE+ Media Converter (30W)