



RP-IPG402

4-P Gigabit + 2-SFP(100/1G) slot Industrial Switch W/ 4-Port PoE+

RP-IPG402 Industrial Ethernet Switch with POE+ feature complies with IEEE802.3af and IEEE802.3at. It delivers 30watts power per POE port and generates a total of 120 watts power to PD devices, and 2 SFP slots are supported.

RP-IPG402 provides power input voltage 48~56Vdc, especially for IP surveillance, traffic monitoring and for a broad range of applications. It can be used as a stand-alone device for buses, trucks, and other vehicles for Surveillance purposes.

With IP-30 standard industrial case protection allows for either DIN rail or wall mounting for efficient use of cabinet space. Its wide operating temperature ranges from -40°C to 75°C for under harsh environment.

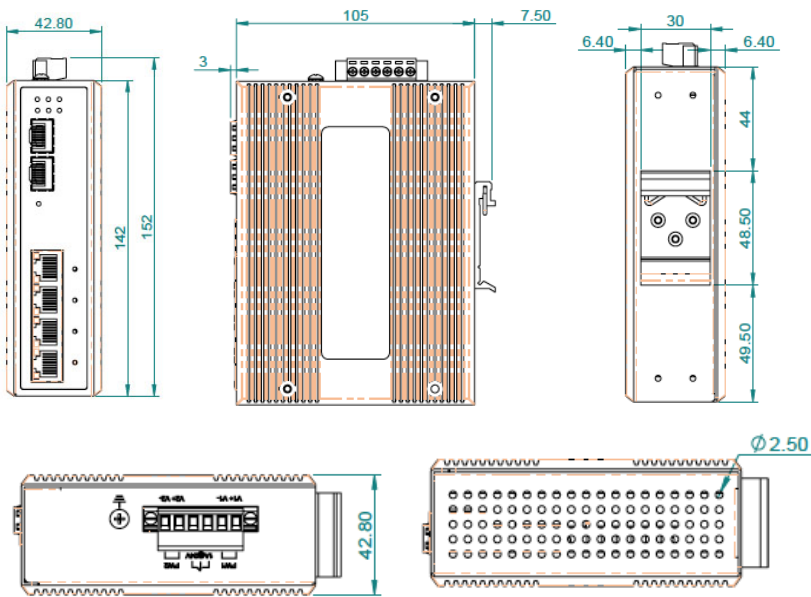
Features

- Supports P.S.E. based on IEEE 802.3at up to 30 Watts per port
- SFP port supports 100Base-FX and 1000Base-X speed
- Support 48~56VDC power inputs for power redundancy
- Supports auto-negotiation and auto-MDI/MDI-X
- Supports store and forward transmission
- Supports flow control
- Rigid IP-30 housing design
- DIN-Rail and wall mounting enabled

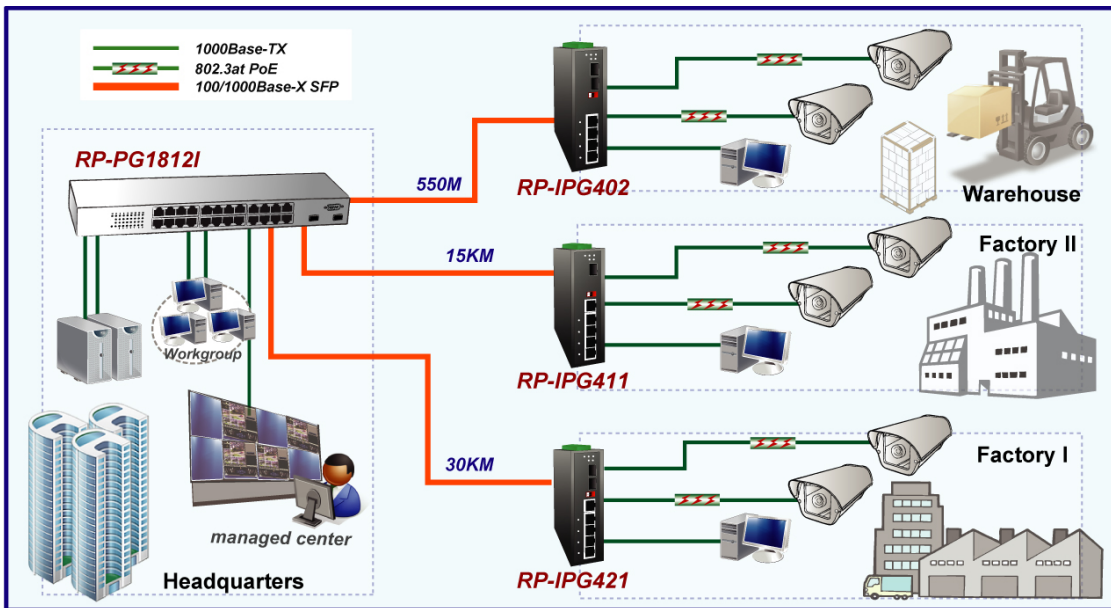
Specifications

| | |
|------------------------------------|--|
| Standards | <ul style="list-style-type: none"> • IEEE 802.3 10Base-T Ethernet • IEEE 802.3u 100Base-TX Fast Ethernet • IEEE 802.3ab 1000Base-T Gigabit Ethernet • IEEE 802.3z 1000Base-X Gigabit Ethernet • IEEE802.3x Flow Control and Back Pressure, • IEEE802.3af for POE • IEEE802.3at for POE+ |
| Switch Architecture | <ul style="list-style-type: none"> • Back-plane (Switching Fabric): 12Gbps |
| Data Processing | <ul style="list-style-type: none"> • Store and Forward |
| Flow Control | <ul style="list-style-type: none"> • IEEE 802.3x Flow Control and Back Pressure |
| Jumbo Frame | <ul style="list-style-type: none"> • 10KB |
| MAC Table Size | <ul style="list-style-type: none"> • 1K |
| Packet Buffer Size | <ul style="list-style-type: none"> • 1Mbits |
| Network Connector | <ul style="list-style-type: none"> • 4 RJ-45 Port: 10/100/1000BaseT(X) auto negotiation, 4 Giga POE+ 802.3at/af PSE port, Auto MDI/MDI-X function, Full/Half duplex • 2 SFP slots: 100/1000M Base-X |
| Network Cable | <ul style="list-style-type: none"> • UTP/STP above Cat.5e Cable, EIA/TIA-568 100-ohm (100m) • Fiber Cable (Multi-mode):50/125um,62.5/125um • Fiber Cable (Single-mode): 9/125um |
| Protocol | <ul style="list-style-type: none"> • CSMA/CD |
| LED | <ul style="list-style-type: none"> • PW1(Power 1) Green, PW2(Power 2) Green, ERR(Fault) Amber • TX/RJ-45 port: LNK (Link/Active) Green, SPD(Speed) 10/100(OFF) ,1000 (Green) • SFP Fiber Per port: Link (Green) , Active Flash |
| DIP Switch | <ul style="list-style-type: none"> • DIP 1: OFF: Port 5 SFP ON (DEFAULT) ; ON: Port 5 SFP OFF • DIP 2: OFF: SFP 1000M (DEFAULT) ; ON: SFP 100M |
| Reverse polarity protection | <ul style="list-style-type: none"> • Present |
| Overload current protection | <ul style="list-style-type: none"> • Present |
| Power Supply | <ul style="list-style-type: none"> • Redundant DC 48~56V Power Input |
| Power Consumption | <ul style="list-style-type: none"> • 5.76W@48 VDC full load, Without PoE |
| Alarm Relay Contact | <ul style="list-style-type: none"> • Relay outputs with current carrying capacity of 1A @24VDC • Relay in “OPEN” circuit mode when PW1 and PW2 are connected. in “SHORT” circuit mode when only one power supply is connected |
| PoE power budget | <ul style="list-style-type: none"> • Per port 30W, Max.36W per port at 48VDC input • Max. 126W @ 48VDC power input |
| Removable Terminal Block | <ul style="list-style-type: none"> • Provide 2 Redundant power ,Alarm relay contact ,6 Pin |
| POE efficiency | <ul style="list-style-type: none"> • Voltage boost efficiency up to 97% from 12VDC to 55VDC |
| Surface temperature | <ul style="list-style-type: none"> • Surface temperature rises 6°C full load in a 75°C chamber |
| Operating Temperature | <ul style="list-style-type: none"> • -40°C ~75°C |
| Storage Temperature | <ul style="list-style-type: none"> • -40°C~85°C |
| Operating Humidity | <ul style="list-style-type: none"> • 5% to 95% (Non-condensing) |
| Housing | <ul style="list-style-type: none"> • Rugged Metal ,IP30 Protection |
| Dimension | <ul style="list-style-type: none"> • 142 x 43 x 105mm (LxWxD) |
| Installation mounting | <ul style="list-style-type: none"> • DIN Rail mounting and Wall Mounting |
| EMC/EMS | <ul style="list-style-type: none"> • CE, FCC |
| EMI | <ul style="list-style-type: none"> • FCC Part 15 Subpart B Class A • CE EN 55022 Class A |

Diagram



Application



Ordering information

RP-IPG402 4-P Gigabit + 2-SFP(100/1G) slot Industrial Switch, W/ 4-Port PoE+