



RP-IPG421-12V

4-P Gigabit + 1-TP/SFP combo + 1-SFP(100/1G) slot Industrial Switch W/ 4-Port PoE+

RP-IPG421-12V Industrial Ethernet Switch with POE+ feature complies with IEEE802.3af and IEEE802.3at. It delivers 30watts power per POE port and generates a total of 120 watts power to PD devices and 2 SFP slots are supported.

RP-IPG421-12V provides wide power input voltage range +12 ~ +56Vdc, it not only boosts up Input Voltage, but also reduces the excessive heat problem to a minimum ,and that secures equipment against unregulated voltage and make systems safer and more reliable.

The protection of IP-30 standard industrial case allows for either DIN rail or wall mounting for efficient use of cabinet space. Its wide operating temperature ranges -40°C to 75°C under harsh environment.

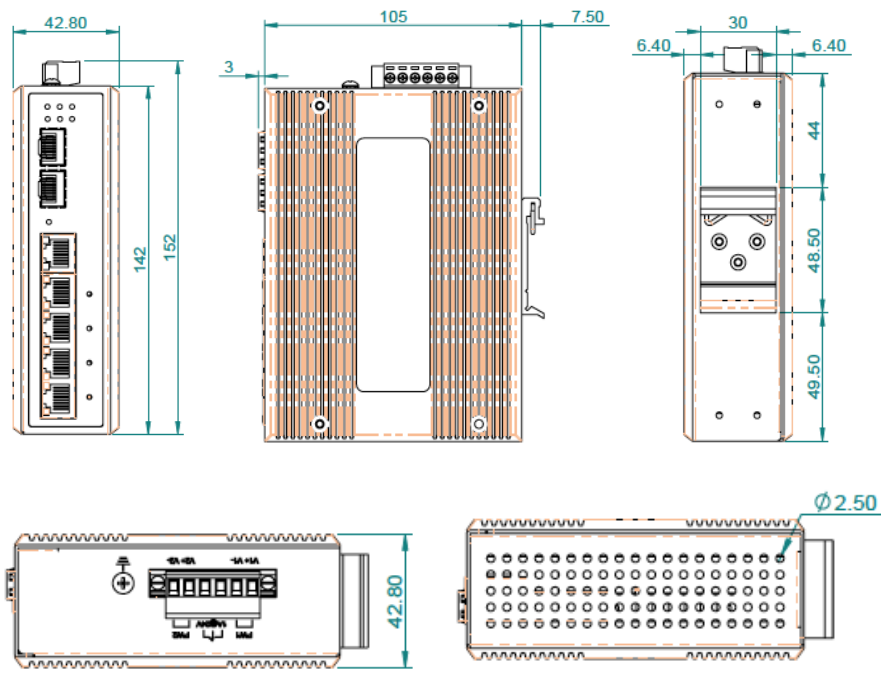
Features

- Supports P.S.E. based on IEEE 802.3at up to 30 Watts per port
- SFP port supports 100Base-FX and 1000Base-X speed
- Support dual wide range 12~56VDC power inputs for power redundancy
- Support overload current protection
- Support reverse polarity protection
- Supports auto-negotiation and auto-MDI/MDI-X
- Supports store and forward transmission
- Supports flow control
- Rigid IP-30 housing design
- DIN-Rail and wall mounting enabled

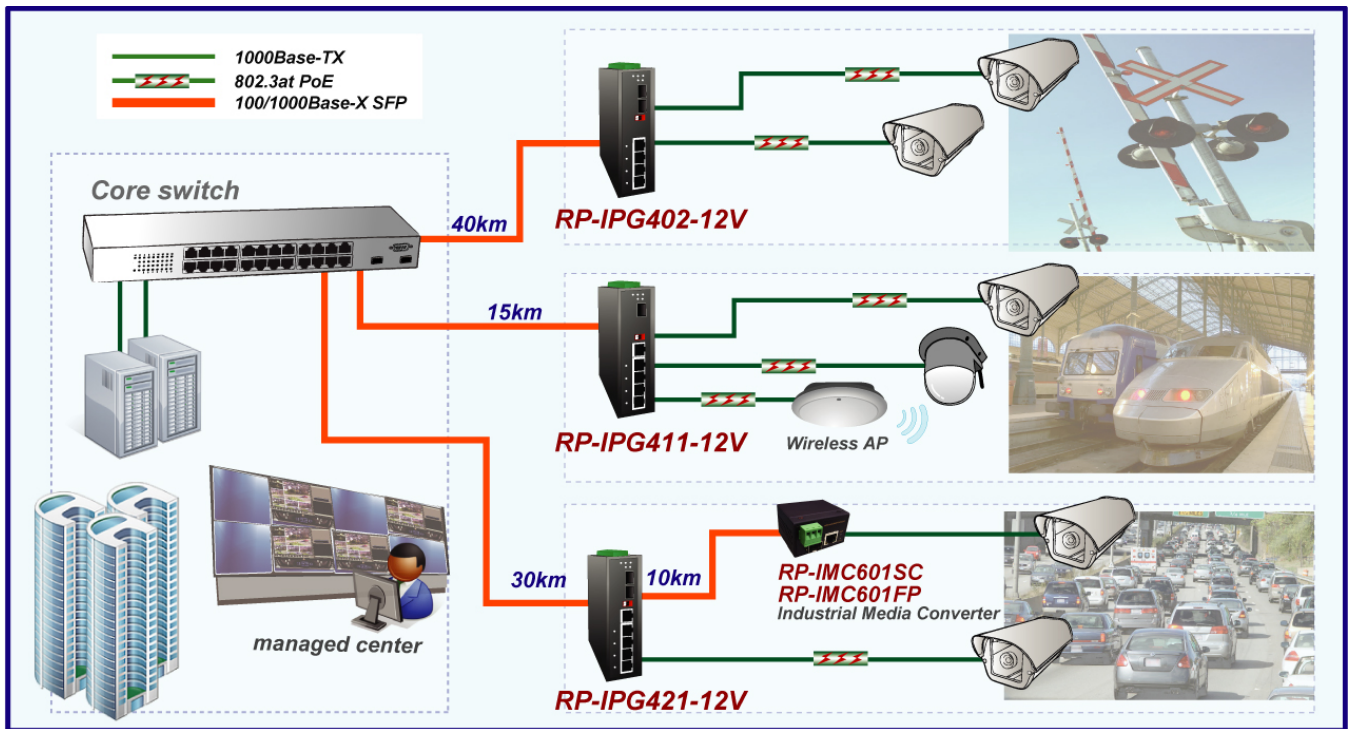
Specifications

Standards	<ul style="list-style-type: none"> • IEEE 802.3 10Base-T Ethernet • IEEE 802.3u 100Base-TX Fast Ethernet • IEEE 802.3ab 1000Base-T Gigabit Ethernet • IEEE 802.3z 1000Base-X Gigabit Ethernet • IEEE802.3x Flow Control and Back Pressure, • IEEE802.3af for POE • IEEE802.3at for POE+
Switch Architecture	<ul style="list-style-type: none"> • Back-plane (Switching Fabric): 12Gbps
Data Processing	<ul style="list-style-type: none"> • Store and Forward
Flow Control	<ul style="list-style-type: none"> • IEEE 802.3x Flow Control and Back Pressure
Jumbo Frame	<ul style="list-style-type: none"> • 10KB
MAC Table Size	<ul style="list-style-type: none"> • 1K
Packet Buffer Size	<ul style="list-style-type: none"> • 1Mbits
Network Connector	<ul style="list-style-type: none"> • 5 RJ-45 Port: 10/100/1000BaseT(X) auto negotiation, 4 Giga POE+ 802.3at/af PSE port, Auto MDI/MDI-X function, Full/Half duplex • 2 SFP slots: 100/1000M Base-X
Network Cable	<ul style="list-style-type: none"> • UTP/STP above Cat.5e Cable, EIA/TIA-568 100-ohm (100m) • Fiber Cable (Multi-mode):50/125um,62.5/125um • Fiber Cable (Single-mode): 9/125um
Protocol	<ul style="list-style-type: none"> • CSMA/CD
LED	<ul style="list-style-type: none"> • PW1(Green), PW2(Green), PW3(Amber), RLY(Amber) • TX/RJ-45 port: LNK (Green), PoE(Amber) • SFP (Green)
DIP Switch	<ul style="list-style-type: none"> • DIP 1: OFF: Port 5 SFP (DEFAULT) ; ON: Port 5 TX • DIP 2: OFF: SFP 1000M ; ON: SFP 100M
Power Supply	<ul style="list-style-type: none"> • Redundant Dual DC 12V-56V Power Input
Power Consumption	<ul style="list-style-type: none"> • 5.76W @12/24/48 VDC full load, Without PoE
Alarm Relay Contact	<ul style="list-style-type: none"> • Relay outputs with current carrying capacity of 1 A @24VDC, • Relay in "OPEN" circuit mode when PW1 and PW2 are connected. in "SHORT" circuit mode when only one power supply is connected
PoE power budget	<ul style="list-style-type: none"> • Per port 30W, Max.36W per port at 12/24/48VDC input • Max. 126W @24VDC and 48VDC power input • Max. 85W @12VDC power input (at 75°C) • Max. 95W @12VDC power input (at 70°C)
Removable Terminal Block	<ul style="list-style-type: none"> • Provide 2 Redundant power ,Alarm relay contact ,6 Pin
POE efficiency	<ul style="list-style-type: none"> • Voltage boost efficiency up to 97% from 12VDC to 56VDC
Surface temperature	<ul style="list-style-type: none"> • Surface temperature rises 6°C full load in a 75°C chamber
Operating Temperature	<ul style="list-style-type: none"> • -40°C ~75°C
Storage Temperature	<ul style="list-style-type: none"> • -40°C~85°C
Operating Humidity	<ul style="list-style-type: none"> • 5% to 95% (Non-condensing)
Housing	<ul style="list-style-type: none"> • Rugged Metal ,IP30 Protection
Dimension	<ul style="list-style-type: none"> • 142 x 43 x 105mm (LxWxD)
Installation mounting	<ul style="list-style-type: none"> • DIN Rail mounting and Wall Mounting
EMC/EMS	<ul style="list-style-type: none"> • CE, FCC
EMI	<ul style="list-style-type: none"> • FCC Part 15 Subpart B Class A • CE EN 55022 Class A

Diagram



Application



Ordering information

RP-IPG421-12V 4-P Gigabit + 1-TP/SFP combo + 1-SFP(100/1G) slot Industrial Switch, W/ 4-Port PoE+