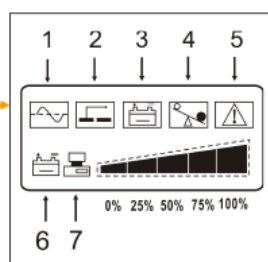


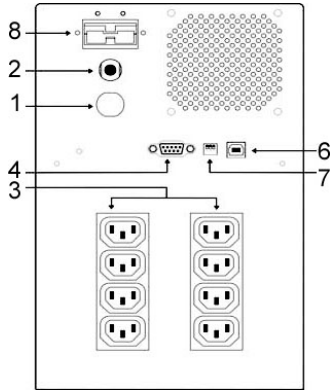
**RPT-3003AUL****3KVA Line Interactive UPS****Feature**

- Line Interactive Design
- User-friendly LCD Display
- No Load Auto Shutdown (Dip Switch Set up)
- Auto Restart when AC Recovery
- Buzzer Alarm Auto Reset (Dip Switch Set up)
- Cold Start Function (DC Power On)
- Tel/Modem/Fax/Internet Surge Suppression
- Provide Boost and Buck AVR to stabilize Input Voltage
- Provide Lightning, Surge, Overload and Short Circuit Protection
- Built-in CCCV Battery Charger and Battery Over Drain Protection
- RS-232 or USB port and cable for managing functions via PC
- Optional Bundles Software: Automatically save Your Valuable Files before Auto Shutdown

Interface**Front Panel**

1. **On-line:** AC normal.
2. **AVR Protection LCD:** When AVR is working under protection mode, the light will turn on.
3. **Back-up:** Battery in back-up.
4. **Overload:** If the UPS is overloaded, the light will turn on and the alarm will sound continuously.
5. **UPS Cut off:** Overload or cut off.
6. **Battery Level:** A bar graph showing how much of the UPS battery is being used.
7. **Load Level:** A bar graph showing how much of the UPS power is being used.
8. **UPS Test Switch:** When UPS is working under AC mode, it also activates the UPS's self-test by press the bottom.
9. **Master Power Switch:** Turn on/off the UPS

Rear Panel



1. **AC line input socket:** Connect power cable from the UPS to AC utility
2. **AC input fuse**
3. **Output receptacles**
4. **Computer interface:** This socket combines relay contact signals DB9 connector
5. **Phone/Fax/Modem jack**
6. **USB port:** Communication port
7. **UPS setup switch**
8. **EXT.BATTERY**

Specification

Model		RPT-3003AUL
Capacity		3KVA/1800W
Input	Voltage	110/115/120VAC or 220/230/240VAC
	Voltage Range	86VAC~144VAC or 172VAC ~288VAC (+/-25%)
	Frequency	47Hz~53Hz or 57Hz ~63Hz
Output	Voltage Regulation (Batt. Mode)	110/115/120VAC or 220/230/240VAC +/-10%
	Frequency	50Hz or 60Hz +/-1Hz
	Waveform	Simulated Sine wave
	Transfer Time	< 6ms (Typical)
	Outlets: IEC-320/ NEMA 5-15R	6/8
Battery	Battery Type	12V/9AH * 4pcs
	Recharge Time	5Hrs to 90% after complete discharge
	User's Replacement	Yes
	Battery Protection	Over discharge protection & Short circuit protection by fuse
	Advanced Battery Management	Yes
	Battery Back-up Time	It depends on connecting loads
Function	Display (LCD)	LCD display for AC normal, Back-up, AVR protection, Load and Battery level, Overload and UPS cut off
	Alarm	Buzzer on for Back-up mode, Battery low, Overload
	Output Short Protection	AC fuse and Electronic circuit(Line mode);Electronic circuit (Back-up mode)
	Communication Port	Shutdown software for Windows 95/98/NT/2000/ME/XP/Vista
	Modem/Phone Protection	RJ-11/RJ-45
	Lightning/Surge Protection	240joules
	AVR (Auto. Voltage Regulation)	Boost/Buck
	DC Start Function	Yes
	Auto. Restart UPS	Yes
	Over/Under Voltage Protection	Yes
Environment	Safety Standard	CE (EN50091-1,EN62040-1-1)
	EMC Standard	FCC Part 15 Class B,CE (EN50091-2,EN55011,EN61000-3-2,EN61000-3-3)
	Operating Temperature	0°C ~ 40°C
	Relative Humidity	0% ~ 95%, Non-Condensing
	Audible Noise	< 40dB at 1M
Physical	Dimension(D*W*H)	408 * 143 * 197mm
	Net Weight	28Kgs

Ordering information

RPT-3003AUL 3KVA/1800W Line Interactive UPS, w/ USB port