



RP-UPH603T | RP-UPH104T

6KVA / 10KVA Double conversion On-Line UPS (High Frequency) Tower Type

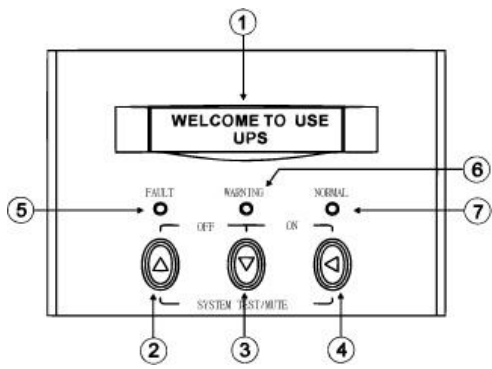
RP-UPH series On-Line UPS is designed with latest technology, making it distinguished by its performance and reliability. The input range is extraordinary wide from 118V to 300V so that the UPS can still run well in areas of poor utility and be robust in various applications. It also eliminates unnecessary battery discharges to prolong the life expectancy of battery. The rectifier stage of RP-UPH series implements high frequency, PWM, and power factor correction method. Therefore, the input current is purely sine wave, and power factor can be over 95%.

RP-UPH series have very small harmonic current drawn from the utility. That is, it generates no interference to the utility. Beside, the inverter of the unit adopts newest and tough IGBT, high frequency PWM method. So it can response quickly to load change, especially the impressing capability of starting computer load. All power stages are carefully designed to optimal efficiency so as to save the user's running cost, and minimize heat dissipation. The unit, controlled by the innovative software programs, can self-diagnose all the time and provides various status and data displayed clearly on the panel.

Feature

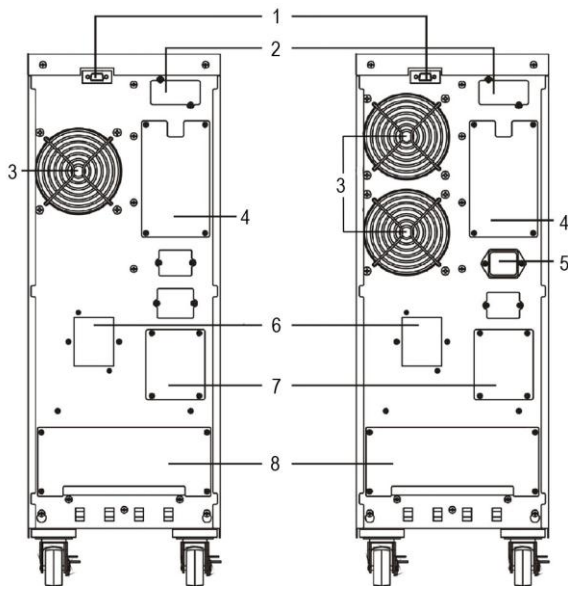
- True Sine-wave double conversion on-line UPS
- Multiple Microprocessor High frequency design & DSP Technology
- Unity input power factor and wide input range
- Extended backup time
- Two-way dialogue interactive dot-matrix LCD control panel
- Detachable LCD or LED Control Panel selectable
- Communication ports selectable: Smart RS232, SNMP, AS-400, USB and DB-9
- DC start and automatic self-diagnostic function
- Low heat dissipation in long time operation
- High efficiency design to save electricity
- Enhanced protections against lighting surges, disturbances etc.
- Designed to operate under harsh environment

Front Panel



1. LCD Display
2. Up-key
3. Down-key
4. Enter-Key
5. Fault LED (red)
6. Warning LED (yellow)
7. Normal LED (green)

Back Panel



1. Communication port
2. Intelligent Slot
3. Cooling Fan
4. Parallel Port
5. External Battery
6. Input Breaker
7. Maintenance Bypass Switch
8. Terminal

6KVA

10KVA



6KVA-10KVA N+1 Parallel Redundancy

6KVA-10KVA, specially designed to provide redundant power protection solution, is able to perform parallel up to 3 UPS systems. With the high frequency PWM technology, the UPS attains high input power factor over 95% and avoids significant harmonic interference on the power workshop. The higher efficiency of the inverter enhances the overall efficiency of UPS and reduces the noise of the inverter as well.

Specification

Model		RP-UPH-603T	RP-UPH104T
Input	Capacity	6KVA/4200W	10KVA/7000W
	Phase	Single Phase	
	Nominal Voltage	1P2W 220Vac	
	Voltage Range	176-276Vac \pm 3Vac	
	Frequency	50Hz / 60Hz \pm 4Hz	
	Power Factor	\geq 0.98	
Output	Voltage	220VAC \pm 1% (230V or 240V re-settable via LCD panel)	
	Frequency	Synchronized (Line mode) ; 50Hz or 60Hz \pm 0.5% (Battery mode)	
	Wave-form	True Sine wave	
	Distortion	\leq 4% (linear load) , \leq 7% (non-linear load)	
	Overload Capacity	105%~130%: 10 min., >130%: 1min	
	Crest Ratio	3 : 1	
Battery	DC Voltage	240V	
	Capacity	12V/ 7Ah *20pcs	12V/ 9Ah *20pcs
	Back-up Time	< 8 min.	< 5 min.
Charger	Built-In /Option	2Amp/4.2Amp (2 steps)	
	Recharging Time	7 hrs to 90%	8 hrs to 90%
Bypass	Automatic	Overload or UPS fault	
	By setting	NA	
	Transfer Time	0 ms (AC to DC & inverter to bypass)	
Indicator	LCD (Series)	UPS status, I/P&O/P Voltage & Frequency, Load %, Battery Voltage, Battery Capacity %, Temperature, Model Spec., Event Log. LED: Normal (Green), Warning (Yellow), Fault (Red)	
Outlet	Tower	Terminal Blocks	
Audible Alarm	Battery Mode	Beeping every 4 seconds (re-settable)	
	Battery Low	Beeping every seconds	
	Overload	Beeping twice per second	
	Fault	Beeping Continuously	
Interface	RS-232 Interface	UPSilon2000 monitoring software for Windows all, Unix systems and Novell.	
	Multi-Interface Slot	SNMP card, AS 400, Dry Contact, USB Selectable	
Network	Surge Protection	N/A	
Parallel		Available (Option)	
Environment	Temperature	0~40°C ; 32~104°F	
	Humidity	0-95% non-condensing	
	Acoustic Noise	< 55 dBA (at 1 M)	
Physical	Weight (w/o Battery)	35 kgs	38kgs
	Weight (w/ Battery)	90 kgs	93kgs
	Dimension W*H*D	260 * 717 * 570mm	
	Color	White	

Ordering Information

RP-UPH603T	6KVA/4200W Double conversion On-Line UPS (High Frequency) Tower Type
RP-UPH104T	10KVA/7000W Double conversion On-Line UPS (High Frequency) Tower Type
MOD-DP504	UPS SNMP Adapter for RP-UPH 6~10KVA series
MOD-UPHUB300	USB Card for RP-UPH 6~10KAV series