

## **RP-K0RJ12** **RJ12 (6P6C) Keystone Jack**



### Features

- Conductor color code according to T568B and T568A
- Contacts color marking of on the transparent module cover
- Linear conductor layout
- Conductor connection by simple cover latching
- Hyperline telephone patch cords usage provides the best connection

### Electrical

- According to UL1863
- **Current Rating:** 1.5 Amp Max.
- **Voltage Rating:** 150 Volts
- **Contact Resistance:** 20m-ohm
- **Insulation Resistance:** 500M-ohm
- **Dielectric Withstand Voltage:** 1000 VAC RMS, 60Hz 1MIN

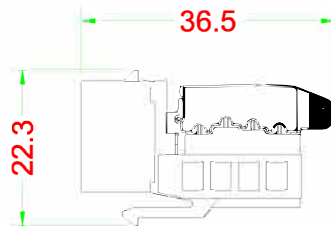
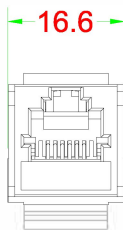
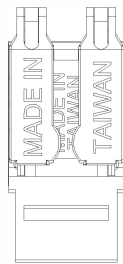
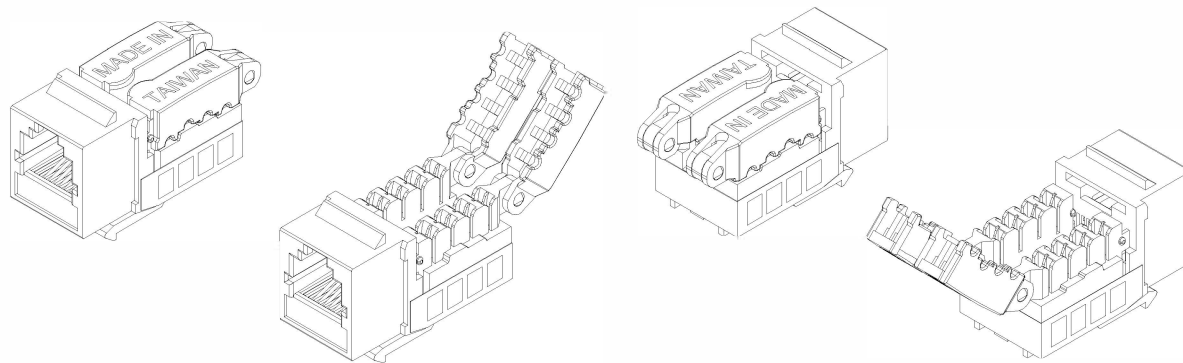
### Materials

- **Housing:** ABS UL94V-0
- **IDC:** PC UL94V-0, Accept 22-26 AWG Solid Wire
- **6P6C**

### Ordering information

**RP-K0RJ12**      RJ12 (6P6C) Keystone Jack, IDC, Toolless, white

# C3 KEYSTONE JACK UTP 6u



## Performance:

Meets C3 Standard.

## Materials:

Body : Fireproof ABS UL-94V0  
 Jack : 6P6C 6 micro inches gold plated  
 PCB : FR-4 / UL-94V0  
 IDC Cap : Fireproof PC  
 IDC Body : Fireproof ABS UL-94V0  
 IDC Pin : Phosphor Bronze & Tinned

IDC Description : For 22-26 AWG.  
 For 110 or Krone punch-down Tool  
 Tooless (when use IDC cap directly)

## Electrical Specifications:

Insulation Resistance : 500M ohms (min.)  
 Contact Resistance : 20m ohms (max.)  
 Current Rating : 1.5 Amps .  
 DC Resistance : 0.1 ohms (max.)  
 Withstanding Voltage : 1000 VAC RMS @ 60Hz / 1 min.

## Mechanical Specifications:

IDC Punch Down Cycle : Over 250 Cycles (min.)  
 Jack Insertion Cycle : Over 2000 Cycles (min.)

Operation Temperature : -40 °C ~ +70 °C

DRAW NO:		ITEM NO:	RP-K0RJ12
	APPR	CUSTOMER:	
UNIT: m/m	DESIGN	DATE:	
SCALE:	Ref. NO:	TOLERANCE:	X ± 1    · X ± 0.2    · XX ± 0.15

**REPOTEC** REPOTEC CO., LTD.