

RP-K8C51E | RP-K8C610

Unshielded Keystone, Toolless type



Specification

- Meet ANSI/TIA/EIA-568-B.2 Category 5e / Meet ANSI/TIA/EIA-568-B.2-1 Category 6
- Meet ISO/IEC Generic Cabling Standard 11801
- Meet CENELEC Generic Cabling Standard EN50173

Electrical

- According to UL1863
- **Current Rating:** 1.5 Amp Max.
- **Voltage Rating:** 150 Volts
- **Contact Resistance:** 20m-ohm
- **Insulation Resistance:** 500M-ohm
- **Dielectric Withstand Voltage:** 1000 VAC RMS, 60Hz 1MIN

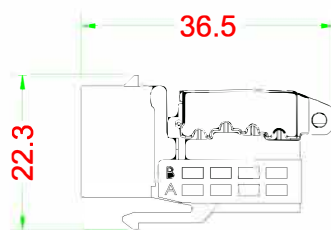
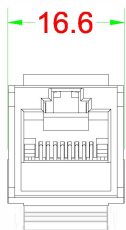
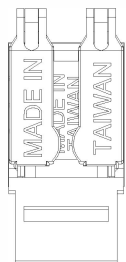
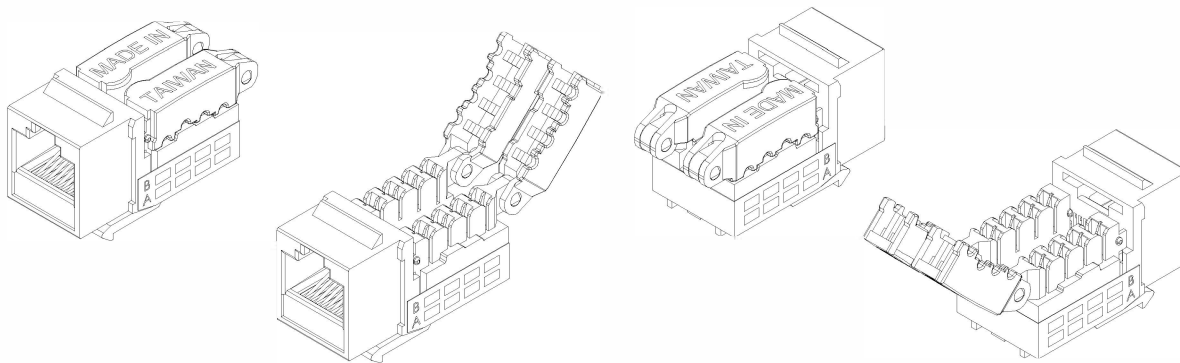
Materials

- **Housing:** ABS UL94V-0
- **IDC:** PC UL94V-0, Accept 22-26 AWG Solid Cable
- **PCB:** FR4 1.6m/m thickness, 2 layer
- **Contact:** 0.45m/m Phosphor bronze with 50u" Gold plating on contact area

Ordering information

RP-K8C51E	Cat.5e Unshielded Keystone, Toolless type, T568B wired
RP-K8C610	Cat.6 Unshielded Keystone, Toolless type, T568B wired

C5e KEYSTONE JACK UTP 50u



Performance:

Meets C5e EIA/TIA 568B Standard.

Materials:

Body : Fireproof ABS UL-94V0
 Jack : 8P8C 50 micro inches gold plated
 PCB : FR-4 / UL-94V0
 IDC Cap : Fireproof PC
 IDC Body : Fireproof ABS UL-94V0
 IDC Pin : Phosphor Bronze & Tinned

IDC Description : For 22-26 AWG.
 For 110 or Krone punch-down Tool
 Tooless (when use IDC cap directly)

Electrical Specifications:

Insulation Resistance : 500M ohms (min.)
 Contact Resistance : 20m ohms (max.)
 Current Rating : 1.5 Amps .
 DC Resistance : 0.1 ohms (max.)
 Withstanding Voltage : 1000 VAC RMS @ 60Hz / 1 min.

Mechanical Specifications:

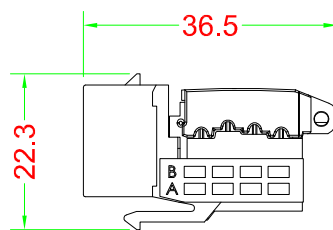
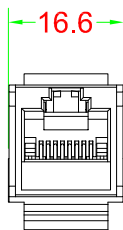
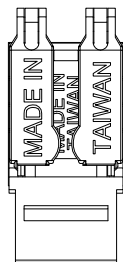
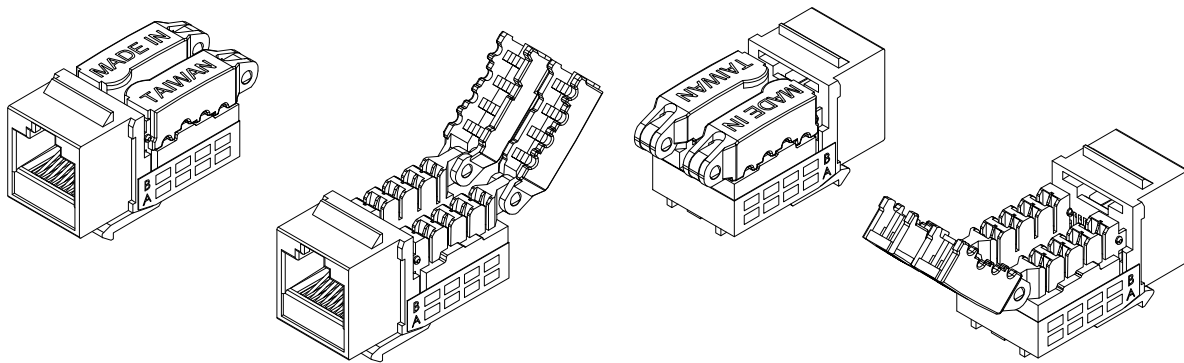
IDC Punch Down Cycle : Over 250 Cycles (min.)
 Jack Insertion Cycle : Over 2000 Cycles (min.)

Operation Temperature : -40 °C ~ +70 °C

DRAW NO:		ITEM NO:	RP-K8C51E
	APPR	CUSTOMER:	
UNIT: m/m	DESIGN	DATE:	
SCALE:	Ref. NO:	TOLERANCE:	X ± 1 · X ± 0.2 · XX ± 0.15

REPOTEC REPOTEC CO., LTD.

C6 KEYSTONE JACK UTP 50u



Performance:

Meets C6 EIA/TIA 568B Standard.

Materials:

Body : Fireproof ABS UL-94V0
 Jack : 8P8C 50 micro inches gold plated
 PCB : FR-4 / UL-94V0
 IDC Cap : Fireproof PC
 IDC Body : Fireproof ABS UL-94V0
 IDC Pin : Phosphor Bronze & Tinned

IDC Description : For 22-26 AWG.
 For 110 or Krone punch-down Tool
 Tooless (when use IDC cap directly)

Electrical Specifications:

Insulation Resistance : 500M ohms (min.)
 Contact Resistance : 20m ohms (max.)
 Current Rating : 1.5 Amps .
 DC Resistance : 0.1 ohms (max.)
 Withstanding Voltage : 1000 VAC RMS @ 60Hz / 1 min.

Mechanical Specifications:

IDC Punch Down Cycle : Over 250 Cycles (min.)
 Jack Insertion Cycle : Over 2000 Cycles (min.)

Operation Temperature : -40 °C ~ +70 °C

DRAW NO:		ITEM NO:	RP-K8C610
	APPR	CUSTOMER:	
UNIT: m/m	DESIGN	DATE:	
SCALE:	Ref. NO:	TOLERANCE:	X ± 1 · X ± 0.2 · XX ± 0.15

REPOTEC REPOTEC CO., LTD.