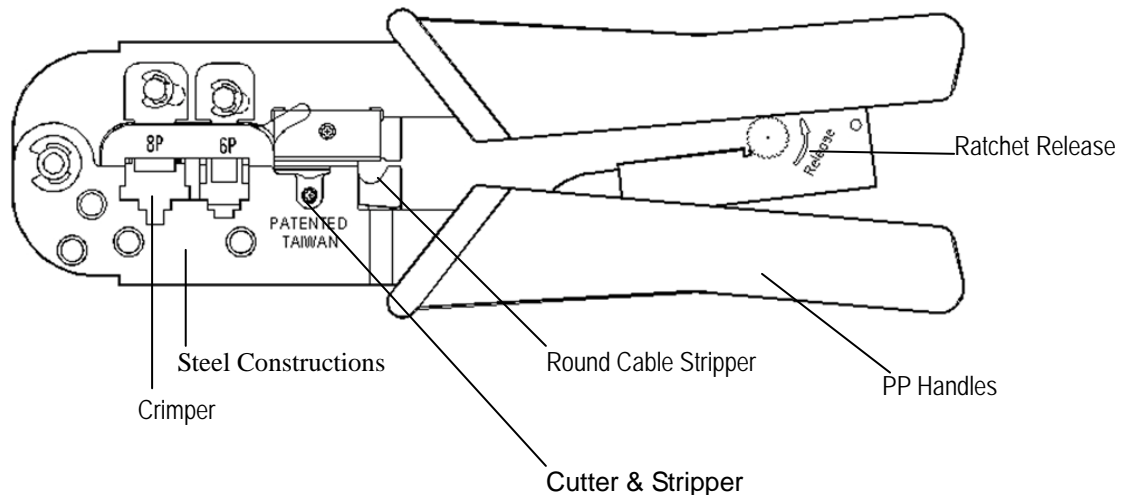




>> RP-KKTR

Dual -Modular Tool for Plug Crimps, Strips (Flat & Round cable) & Cuts
(Ratchet Type)

- Dual-Modular Plug Crimps, Strips & Cuts for 8P8C/RJ-45, 6P6C/RJ12, 6P4C/RJ11 (Ratchet Type).
- Frame is made of steel, light weight Compact & durable w/ key way in 8P modular holder with ratchet mechanism.



Specification

- **Function :**
 1. Available For 2 Kind Of Plugs
 2. Cutting And Stripping Wire By One Operation , Easy And Efficient.
 3. Light-Weight , Durable And Compact.
- **Length :** 7 1/2" (190±3mm)
- **Weight :** 290g
- **Material :** Low Carbon Steel With Harden.
- **Frame :** Black Oxide Finished
- **Replacement Blade**

ORDERING INFORMATION

RP-KKTR Dual -Modular Tool for Plug Crimps, Strips (Flat & Round cable) & Cuts
(Ratchet Type)