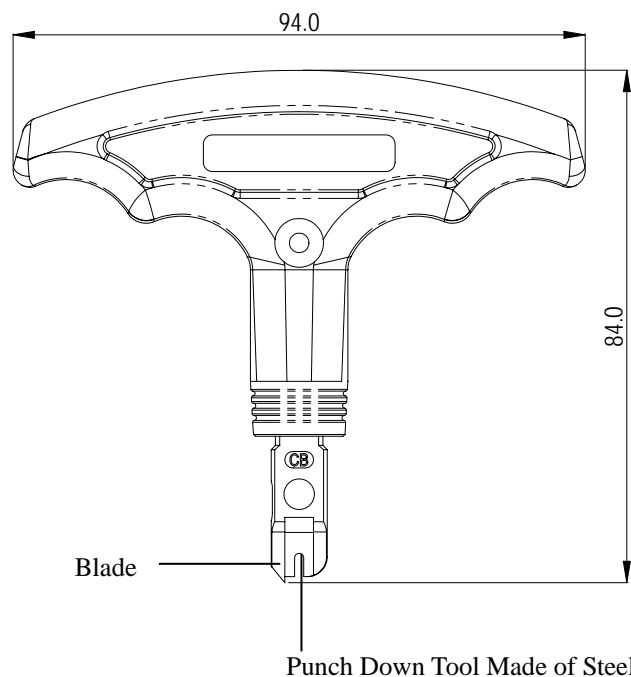




## >> RP-PD224C

### Punch Down Tool

with Fixed Blade & cutting (88/110 type)



## Specification

<b>Functions</b>	<ul style="list-style-type: none"><li>• For 88/110 type terminal block</li></ul>
<b>Length</b>	<ul style="list-style-type: none"><li>• 3.31"(84mm)</li></ul>
<b>Weight</b>	<ul style="list-style-type: none"><li>• 66g</li></ul>
<b>Material</b>	<ul style="list-style-type: none"><li>• Body Made Of A.B.S</li></ul>

## ORDERING INFORMATION

**RP-PD224C**      Punch Down Tool with Fixed Blade & cutting (88/110 type)